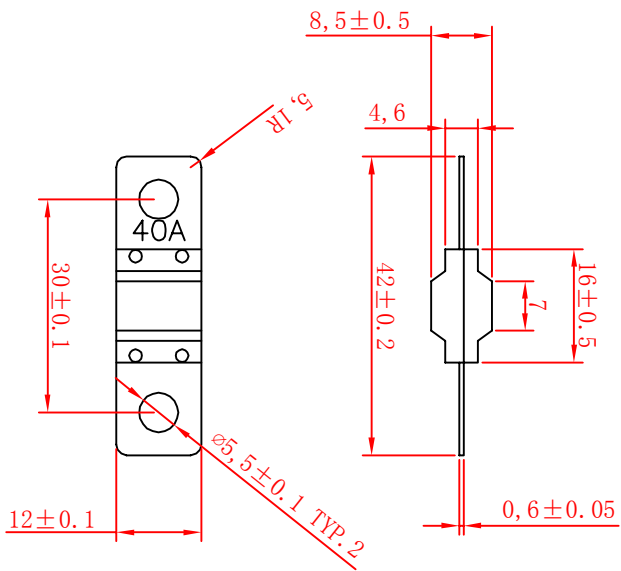


DRAWING REVISIONS				
REV	S/N	DESCRIPTION	APPROVED	DATE
A	20210518-011	ORIGINAL RELEASE		



9	32V	150A	ANS-150
8	32V	125A	ANS-125
7	32V	100A	ANS-100
6	32V	80A	ANS-80
5	32V	70A	ANS-70
4	32V	60A	ANS-60
3	32V	50A	ANS-50
2	32V	40A	ANS-40
1	32V	30A	ANS-30
ITEM	Voltage rating	RATING	ASSEMBLY P/N

**NOTES: UNLESS OTHERWISE SPECIFIED.**

- the fuses shown are for in motor vehicles, boats and trailers to protect electrical wiring and vehicles. This standard is for the construction shown and is not intended to restrict the design and use of other configurations and materials capable of meeting the vehicle requirements.
- A fuse is a device designed to interrupt the electrical circuit when subjected to overcents. This action is to be nonreversible and the fuse is intended to be replaced after the circuit, malfunction has been corrected.
- Functional Characteristics  
**TESTING CURRENT**  
 100%  
 110%  
 150%  
 200%  
 300%  
**BLOW TIME LIMIT**  
 100Hr. minimum  
 4Hr. minimum  
 90seconds-3600seconds  
 5seconds - 100seconds  
 0.5sec-15sec
- Standard: ISO8820-5; UL248;

**DONGGUAN AMPFORT ELECTRONICS CO.,LTD.**

UNLESS OTHERWISE STATED		ANS bolt-on Fuse		CUSTOMER	
WALL THICKNESS	MM	±0.05	MM		
LINEAR	.XXV	±0.15	MM		
ANGLE/CLARE		±0.5	DEG	DOSN	Tommy
DRAFT ANGLE/SIDE		0.5	MAX	DPTS	Tommy
BURR & FLASH		0.10	MAX	CHRD	
BREAK CORNERS		0.20	R.MAX		
PARTING LINE DIRECTION		0.05	MAX	APPD	
		05-18-21		SCALE	Free
		05-18-21		SHEET	1 OF 1
				PART NO.	
				ANS	
				REV	A